

series  
**SKYMAX**  
RM-600-630W-182R/132TB

**N-TOPCon**  
Bifacial Monocrystalline Module

- Suitable for centralised PV generation.
- Warranty Upgrades.
- High efficiency and strong power generation.
- Safer smart manufacturing.
- No-Destructive Cutting.
- Junction Box Laser Welding Technology.

**2382x1134x30**

Dimensions (mm)

**132 CELL**

Mono TOPCon

**600-630Wp**

Power output

**1500V DC**

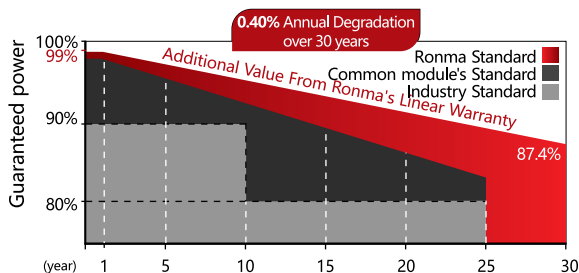
Max. system voltage

**23.32%**

Max. efficiency

**LINEAR PERFORMANCE WARRANTY**

15-year product warranty / 30-year linear power warranty



IEC61215/IEC61730/IEC61701/IEC62716/WEEE De93315506



**Higher Power Output**

Module power increases by 5-25% generally, bringing significantly lower LCOE and higher IRR. 0-5w positive tolerance output warranty.



**Multi Busbar Technology**

By improving optical utilization rate, power increases by 2~3% and efficiency increases by 0.4~0.6%.



**PID Resistance**

Excellent Anti-PID performance guarantee via optimized mass-production process and material control.



**Low-light Performance**

Excellent performance in low light.



**Durability Against Extreme Environmental Conditions**

High salt mist and ammonia resistance certified by TUV NORD.

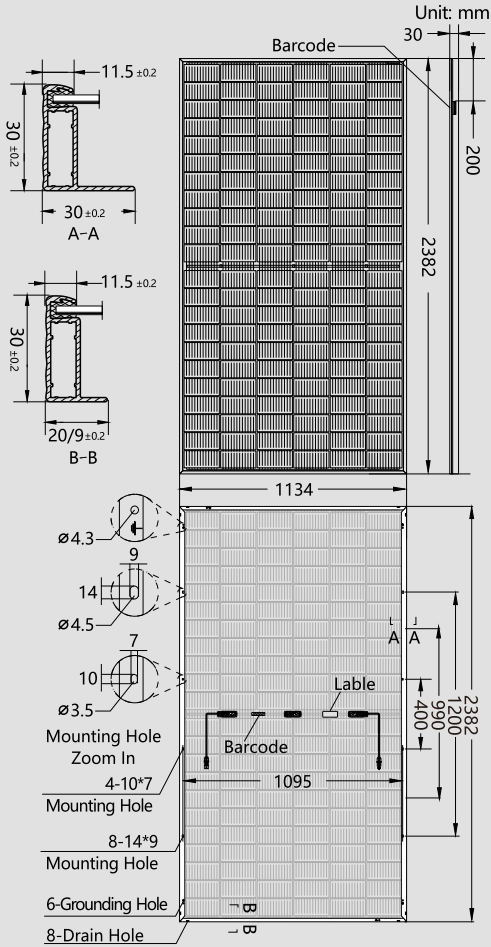


**EL Full Inspection**

Dual-stage 100% EL Inspection.

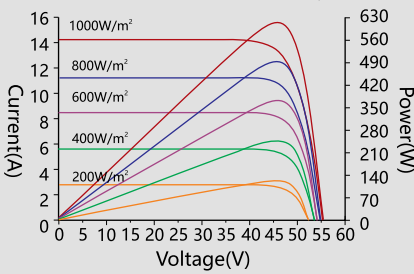


### Dimensions of PV Module

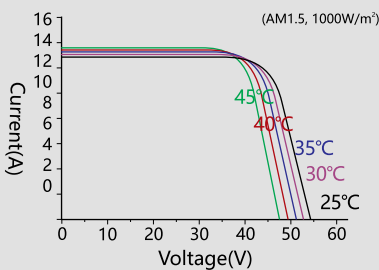


### RM-630W-182R/132TB

I-V characteristics at different irradiances  
Cells temp.=25°C



I-V characteristics at different temperatures



### ELECTRICAL CHARACTERISTICS (STC\*)

Rated Power in Watts-Pmax(Wp)	600	605	610	615	620	625	630
Open Circuit Voltage-Voc(V)	48.40	48.70	49.00	49.30	49.60	49.80	50.30
Short Circuit Current-Isc(A)	15.80	15.83	15.86	15.89	15.91	15.93	15.94
Max. Power Voltage-Vmpp(V)	40.30	40.50	40.80	41.10	41.40	41.60	42.00
Max. Power Current-Impp(A)	14.91	14.94	14.96	14.98	14.99	15.00	15.01
Module Efficiency(%)	22.20	22.40	22.60	22.80	23.00	23.10	23.32
Maximum system voltage	1500V DC						
Fuse Rating(A)	30						
Temperature coefficient Pmax	-0.30%/°C						
Temperature coefficient Isc	0.046%/°C						
Temperature coefficient Voc	-0.25%/°C						
Refer Bifacial Factor	$\phi_{Isc}=80\% \pm 10\%$ , $\phi_{Voc}=100\% \pm 3\%$ , $\phi_{Pmax}=80\% \pm 10\%$						

\*STC: Irradiance 1000W/m<sup>2</sup>, module temperature 25°C, AM=1.5

### SPECIFICATIONS(BNPI)

Rated Power in Watts-Pmax(Wp)	663.3	667.8	674.0	679.8	685.2	688.9	695.9
Open Circuit Voltage-Voc(V)	48.60	48.90	49.20	49.50	49.80	50.20	50.50
Short Circuit Current-Isc(A)	17.37	17.40	17.44	17.47	17.50	17.52	17.53
Max. Power Voltage-Vmpp(V)	40.50	40.70	41.00	41.30	41.60	41.80	42.20
Max. Power Current-Impp(A)	16.38	16.41	16.44	16.46	16.47	16.48	16.49
Power tolerance	0~+3%						
Operating Temperature	-40°C~85°C						

\*BNPI: Irradiance: front 1000W/m<sup>2</sup>, rear 135W/m<sup>2</sup>, Cell Temperature 25°C, AM=1.5

### MECHANICAL CHARACTERISTICS

Number of cells	132pcs
Type of cell	N-TOPCon Mono
Thickness of glass(mm)	2.0
Junction box	IP68, 1500V DC, 3 Diodes
Type of frame	Anodized Aluminum Alloy
Size of module(mm)	2382x1134x30
Weight(kg)	33.5
Cables/connectors	4.0mm <sup>2</sup> , MC4 compatible
Length of Cable	+300mm/-200mm (connector included) Length can be customized

### PACKAGING CONFIGURATION

Height of Modules (mm)	30
Number of Modules Per Pallet	37
Packaging Box Dimensions (l×w×h) (mm)	2386x1140x1260
Box Gross Weight (kg)	1270
Number of Modules Per 40ft (HQ) Container	740
Number of Pallets Per 40ft (HQ) Container	20

CAUTION : READ SAFETY AND INSTALLATION INSTRUCTIONS BEFORE USING THE PRODUCT  
©2023 Ronma Solar. All rights reserved. Specifications included in this datasheet are subject to change without notice.

